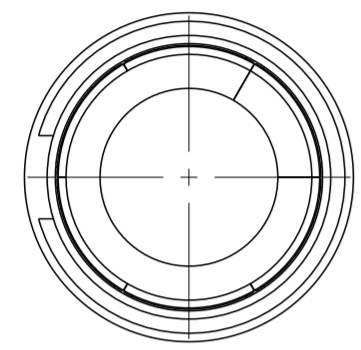


THIS DRAWING IS UNPUBLISHED. RELEASED FOR PUBLICATION 2006  
 © COPYRIGHT 2006 ALL RIGHTS RESERVED.

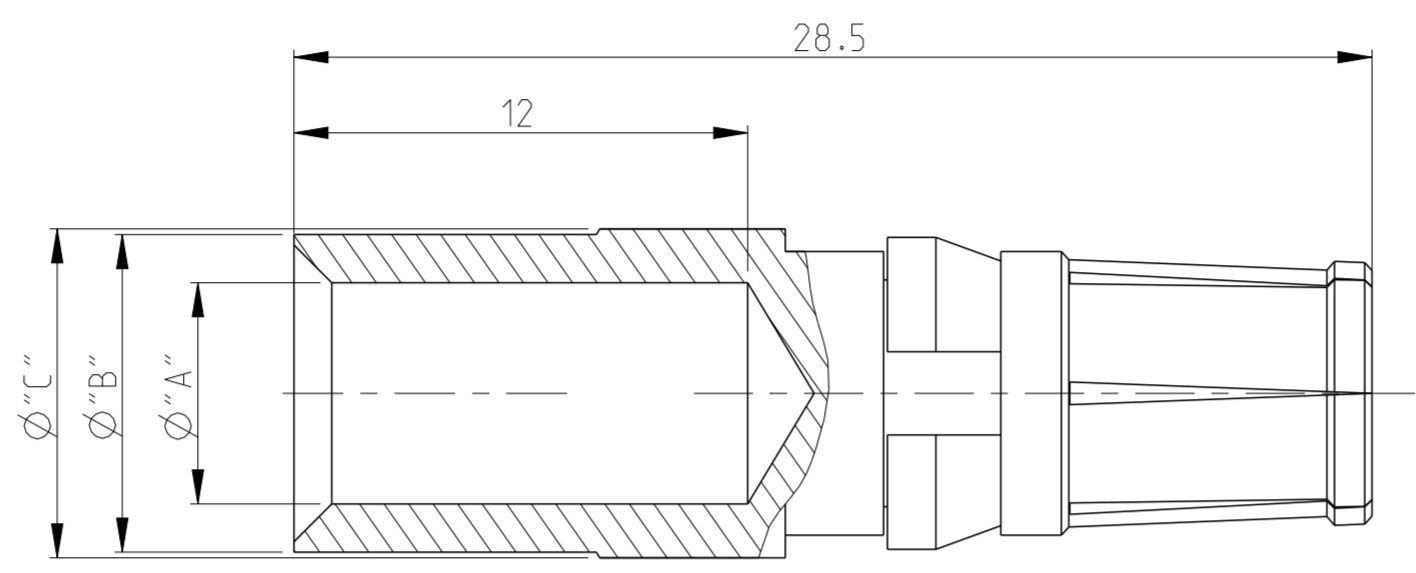
LOC	DIST	REVISIONS					
		P	LTR	DESCRIPTION	DATE	DWN	APVD
B1	-	C3		REVISED PER ECO-11-005150	31MAR2011	RK	HMR
		C4		ECR-11-021594	11NOV2011	RK	MKO
		C5		ECR-14-007793	25AUG2014	RK	MKO

Notes

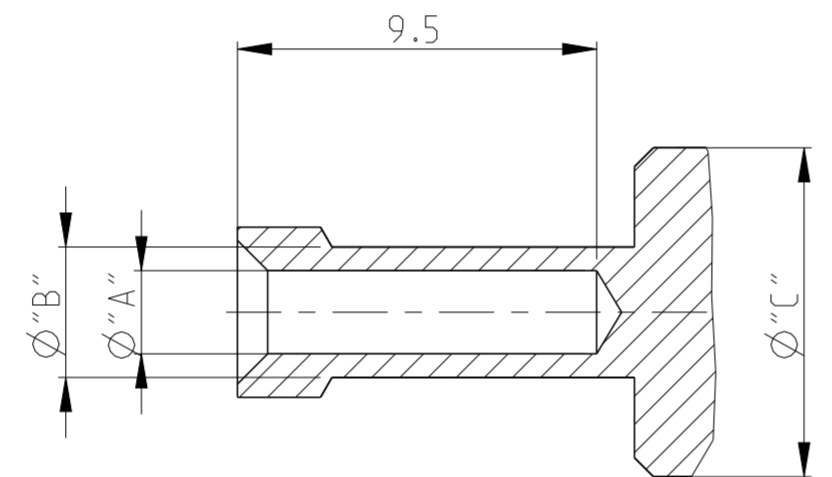
- 1 MATERIAL: BRASS
- 2 FINISH SILVER PLATING: 2 µm Ag MIN. OVER Cu
- 3 FINISH GOLD PLATING: 0.75 µm Au MIN. OVER Ni
- 4 WEIGHT (MAX.): 6.44 g, VOLUME (MAX.): 795mm<sup>3</sup> (APPROX.)
- 5 SUITABLE PIN CONTACT: CUSTOMER DRAWING 1105150
- 6 SUITABLE INSERTS: SERIES HSS, CUSTOMER DRAWING
- 7 SUITABLE CRIMP TOOL: PN 1-1105850-8
- 8 SUITABLE INSERTION TOOL: -
- 9 SUITABLE EXTRACTION TOOL: PN 0-1102855-5
- 10 FINE WIRE DIA. MAX. Ø4.5
- 11 STANDARDS: DIN EN 61984, DIN EN 60664-1
- 12 PACKAGING: 25 PIECES IN A POLY-BAG
- 13 PACKAGING: 1 PIECE LOOSE



WIRE CROSS-SECTION:  
 Ø6mm<sup>2</sup>- 16mm<sup>2</sup>



WIRE CROSS-SECTION:  
 Ø2.5mm<sup>2</sup>/ 4mm<sup>2</sup>



WIRE DIA. (mm)	CROSS SECTION (mm <sup>2</sup> )	LENGTH (mm)	Ø'A' (mm)	Ø'B' (mm)	Ø'C' (mm)	STRIPPING-LENGTH (mm)	WITH CLIP	
							PN	PN
		[MM 2]	"A"	"B"	"C"	[MM]	PN	PN
	ORDERING TEXT	PLATING	CROSS SECTION	DIMENSIONS	STRIPPING-LENGTH	WITH CLIP		

THIS DRAWING IS A CONTROLLED DOCUMENT.

DIMENSIONS: mm	TOLERANCES UNLESS OTHERWISE SPECIFIED:	DWN: K. SCHROEDER 10APR2008	 TE Connectivity
0 PLC ±	1 PLC ±	CHK: H. BRAUN 10APR2008	
2 PLC ±	3 PLC ±	APVD: T. SCHNURPFEL 10APR2008	
4 PLC ±	ANGLES ±0.5°	PRODUCT SPEC: 108-74016	
MATERIAL: 1	FINISH: 2, 3	APPLICATION SPEC: 114-74028	NAME: SOCKET CONTACT SERIES HSS
		WEIGHT: -	SIZE: A2
		Customer Drawing	CAGE CODE: 00779
			DRAWING NO: 1105151
			RESTRICTED TO: -
			SCALE: 5:1
			SHEET: 1 OF 1
			REV: C5

